

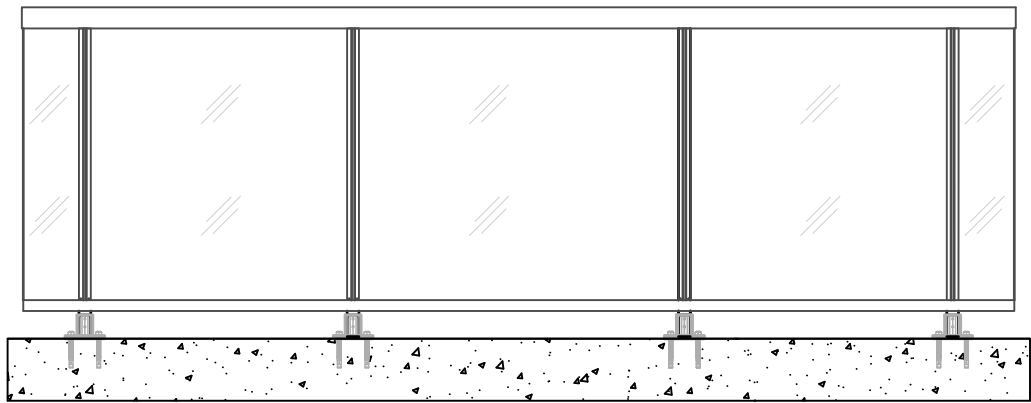
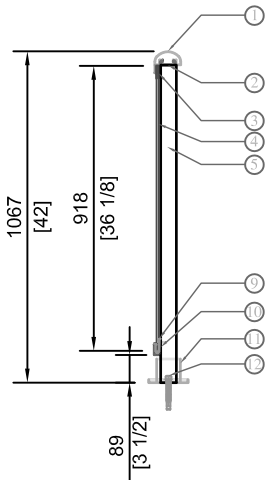


A R T

ALUMINUM RAILING TECHNOLOGIES LTD.

TOP MOUNT

ITEM NO.	DESCRIPTION	PART NUMBER
1	TOP CAP	AS-36124
2	TOP RAIL	AS-36087
3	TOP GASKET	V-858
4	INFILL GLASS	
5	POST	AH-72863
9	BOTTOM 1/8" GASKET	V-806
10	BOTTOM GLASS CHANEL	AS-72864
11	TOP ASSEMBLED SHOE	
12	1/2"Ø x 5 1/2" EXPANSION ANCHORS	STAINLESS STEEL

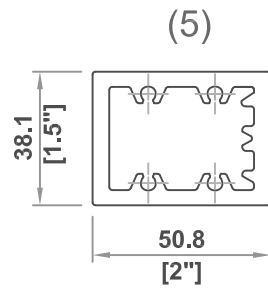
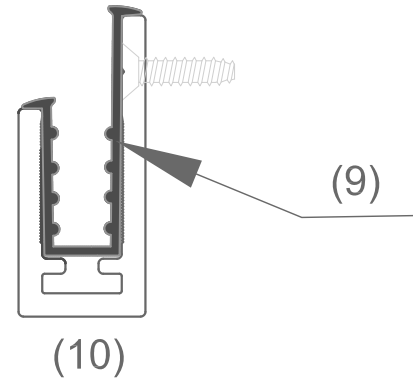
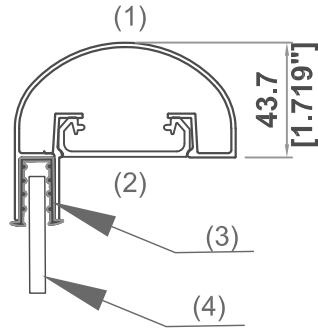




A R T

ALUMINUM RAILING TECHNOLOGIES LTD.

TOP MOUNT

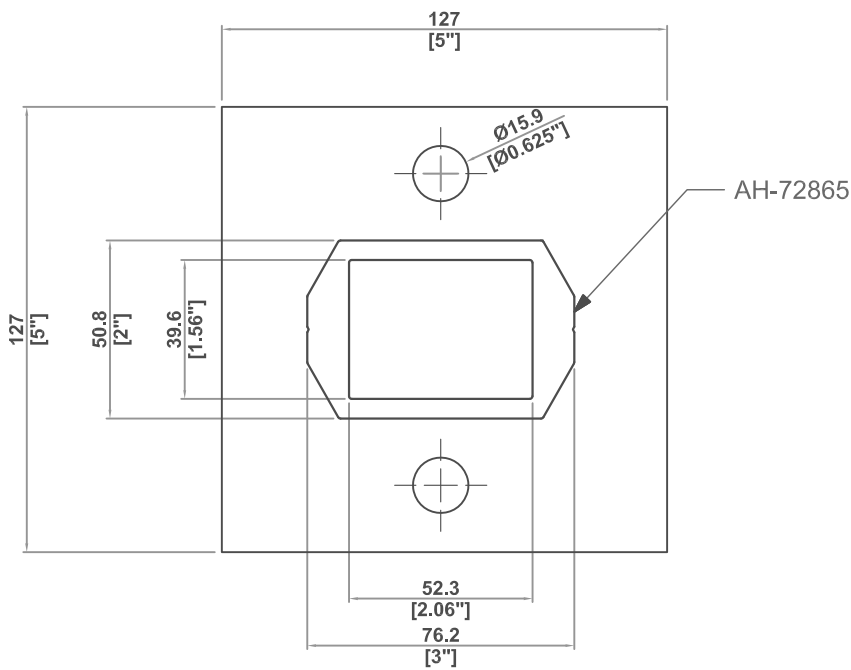
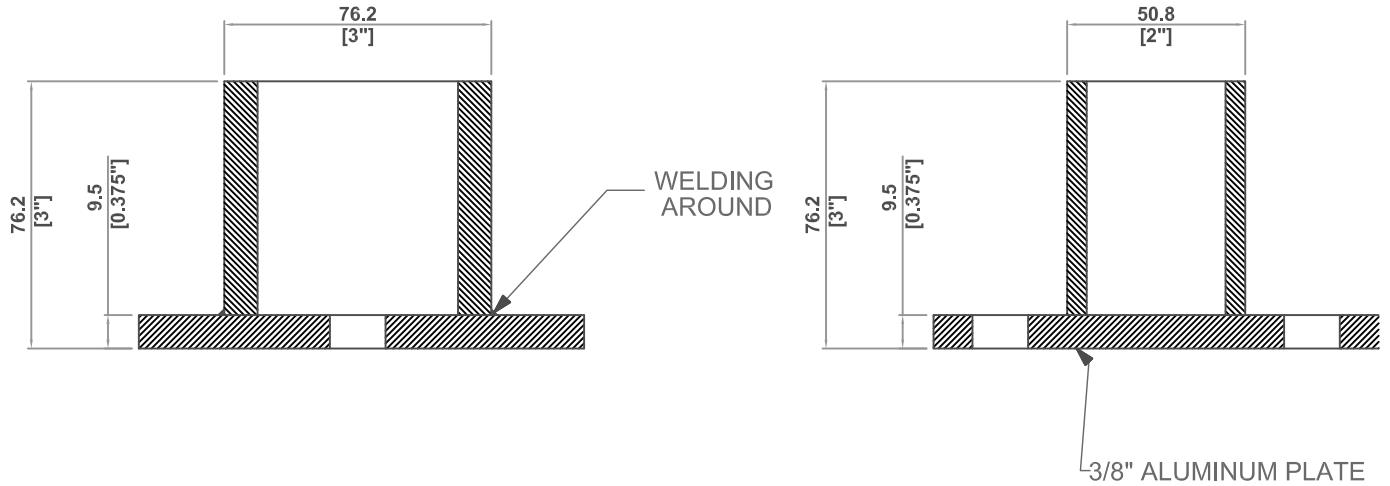




ART

ALUMINUM RAILING TECHNOLOGIES LTD.

TOP MOUNT



TOP ASSEMBLED SHOE
(11)