

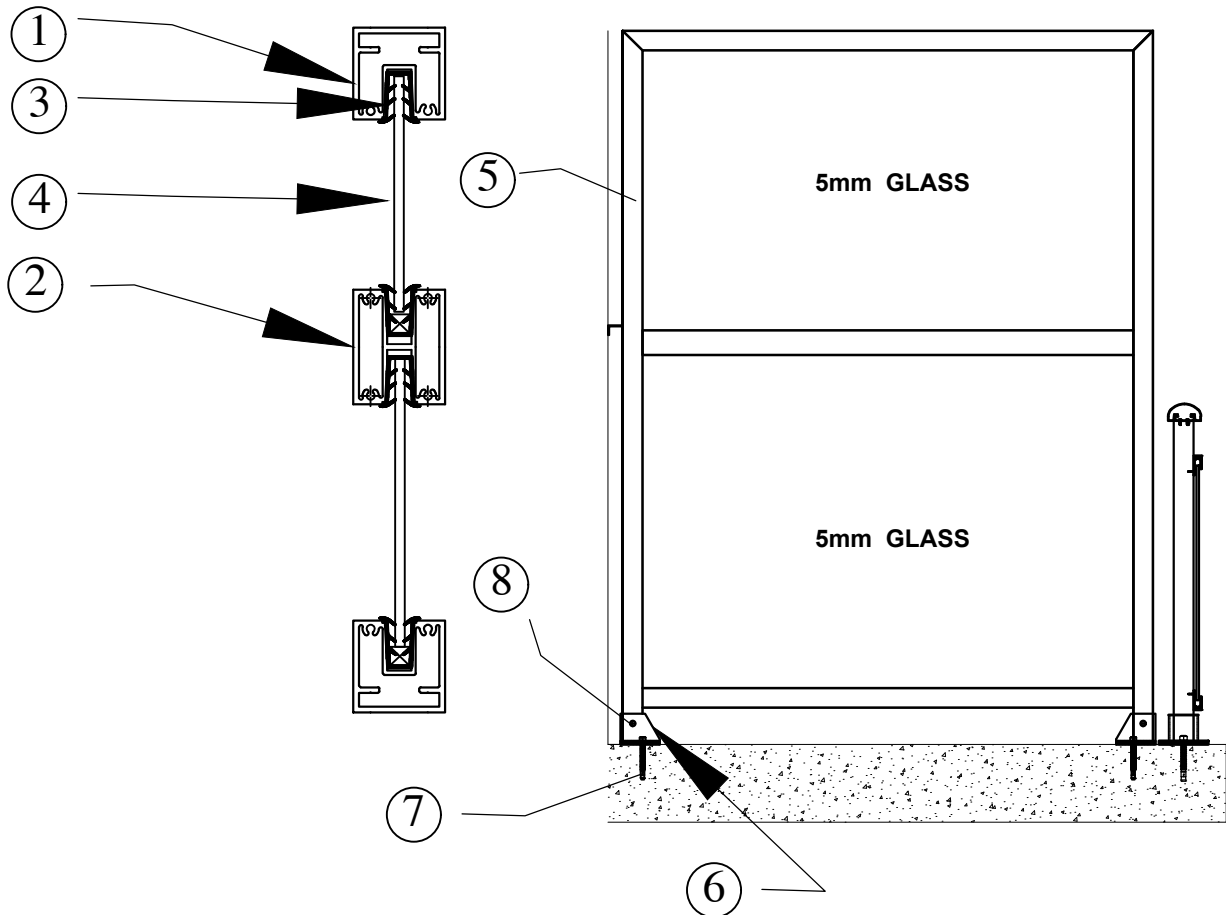


A R T

ALUMINUM RAILING TECHNOLOGIES LTD.

DIVIDER

ITEM NO.	DESCRIPTION	PART NUMBER
1	DIVIDER - TOP/BOTTOM/SIDES	AH-72869
2	DIVIDER -MIDDLE GLASS CHANNEL	AH-72868
3	TOP GASKET	V-858
4	INFILL GLASS	
5	SIDE GASKET	V-857
6	SIDE ASSEMBLED SHOE	
7	SS 1/2"Ø x 4 1/2" EXPANSION ANCHORS	STAINLESS STEEL
8	SS 3/8"Ø x 2 1/2" TRU BOLT	Flat washer, lock washer, nut



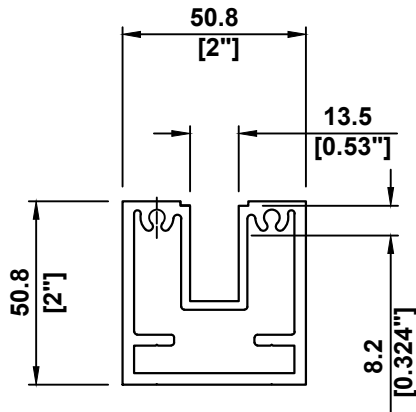


ART

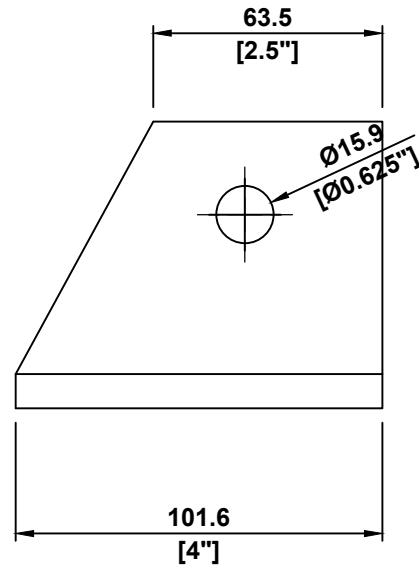
ALUMINUM RAILING TECHNOLOGIES LTD.

DIVIDER

PERIMETER DIVIDER



DIVIDER SHOE



INTERMEDIATE DIVIDER

